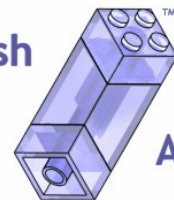


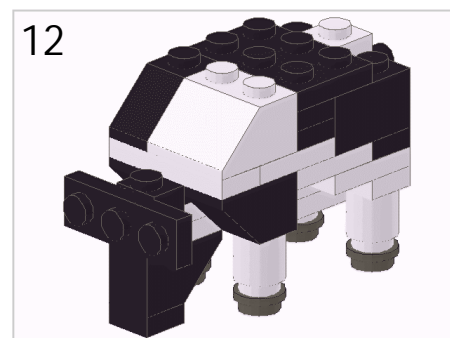
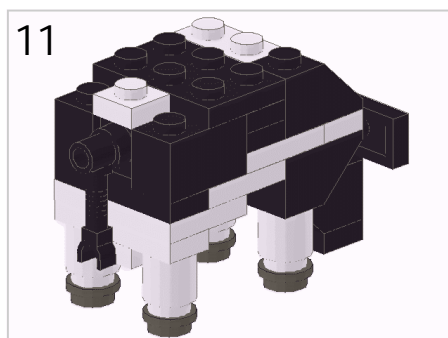
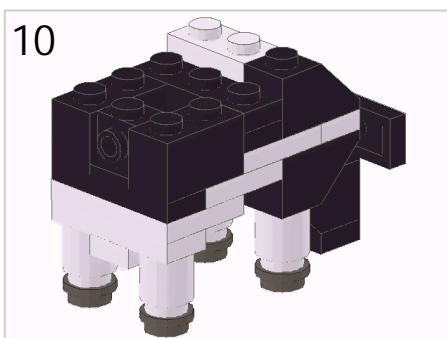
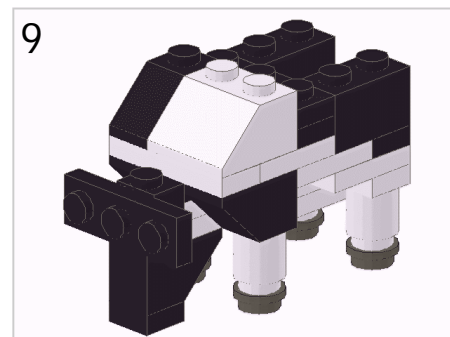
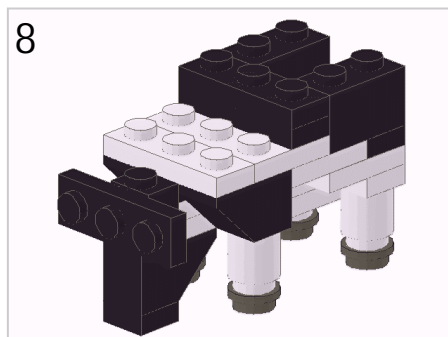
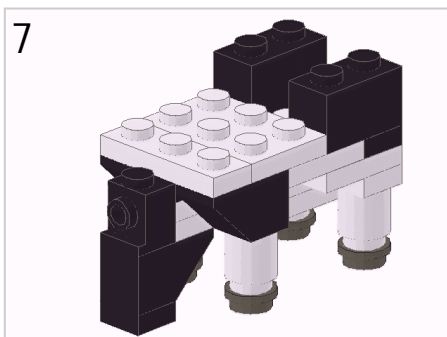
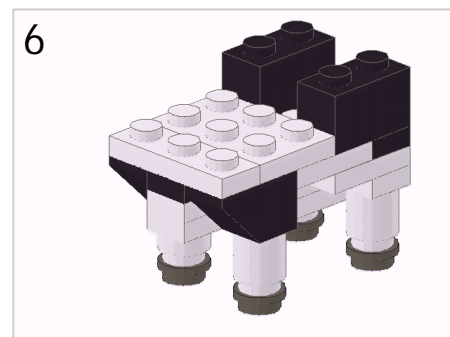
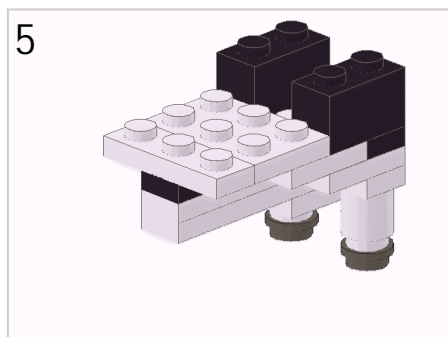
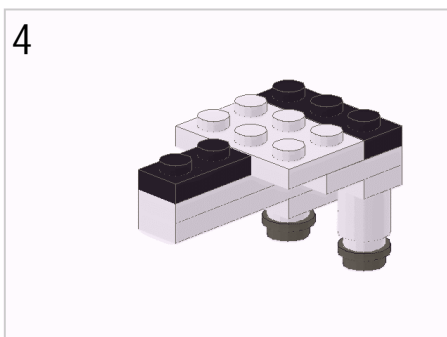
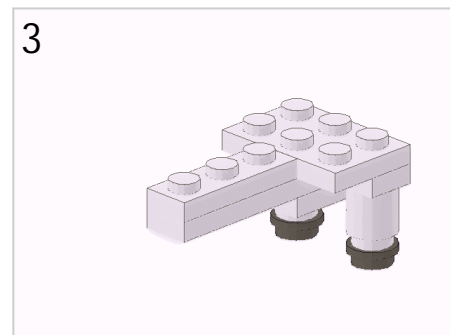
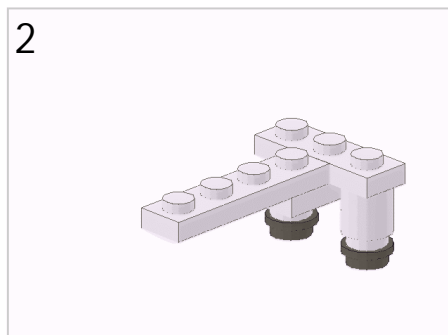
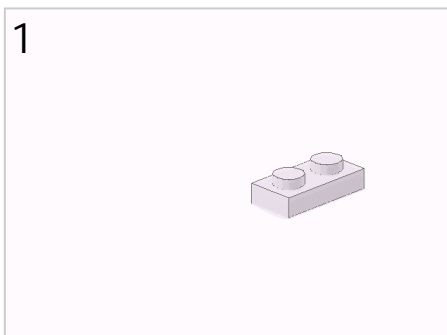
# COW

by Alastair Disley

The Brickish

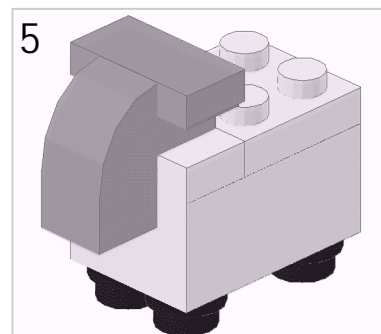
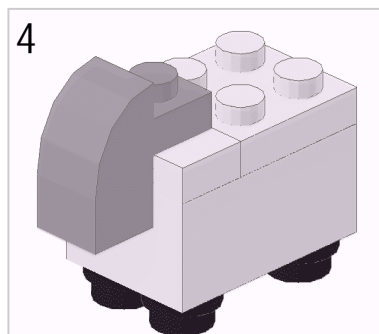
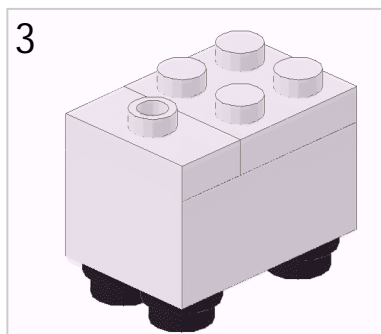
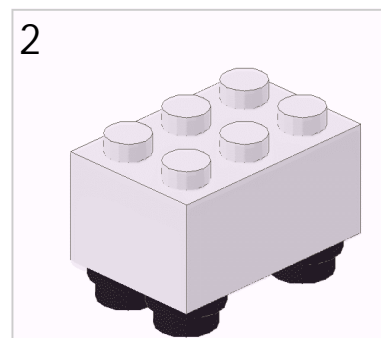
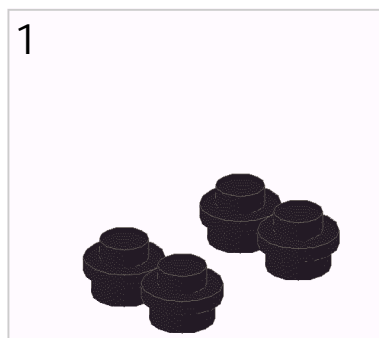


Association™



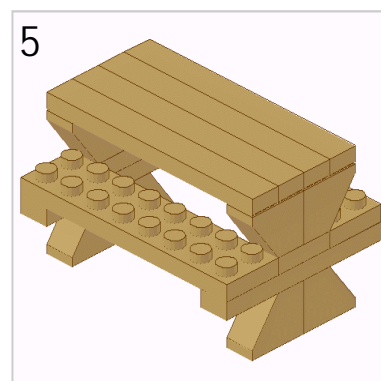
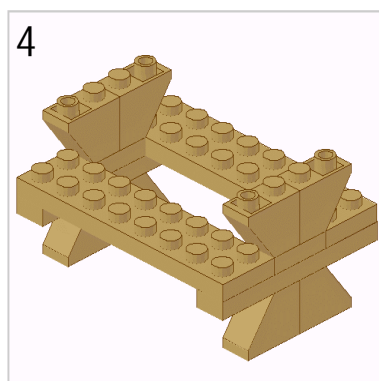
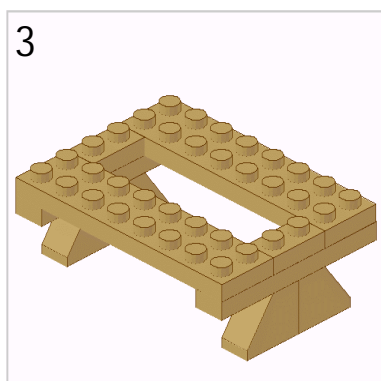
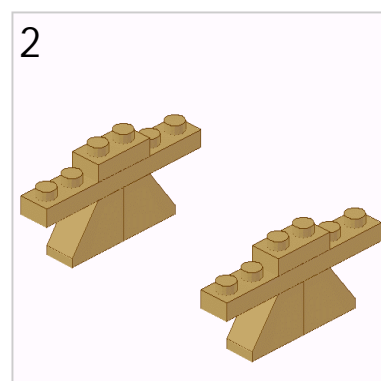
For more information about The Brickish Association, please visit our website [www.brickish.org](http://www.brickish.org)

# sheep



# bench

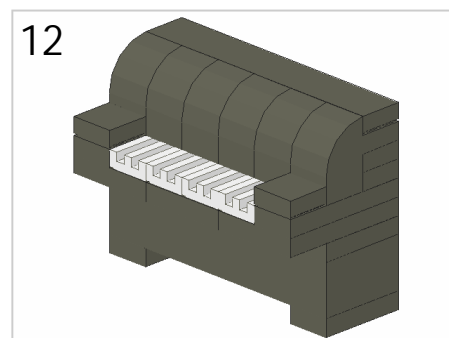
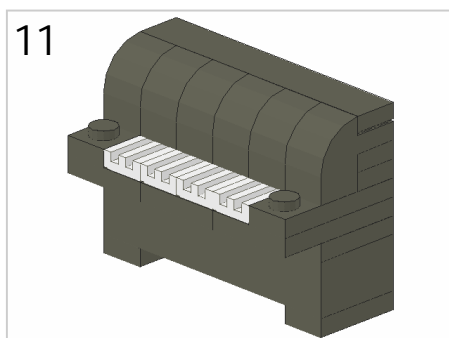
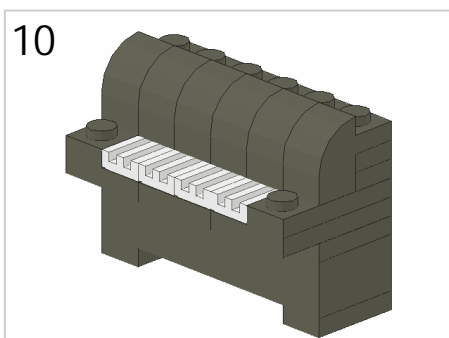
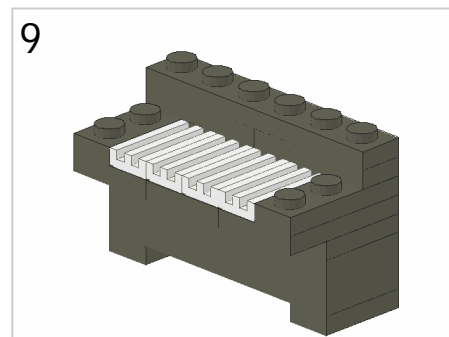
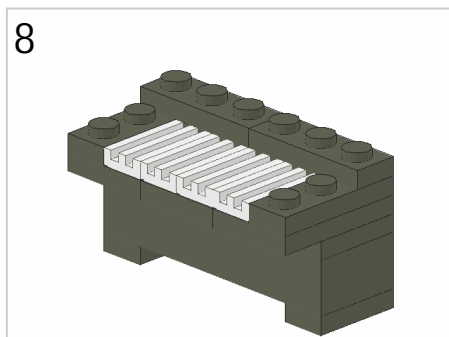
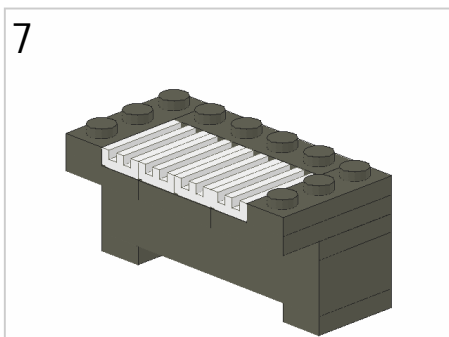
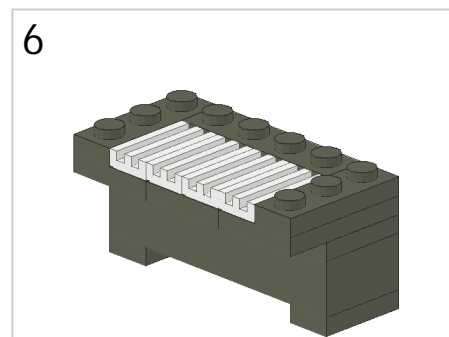
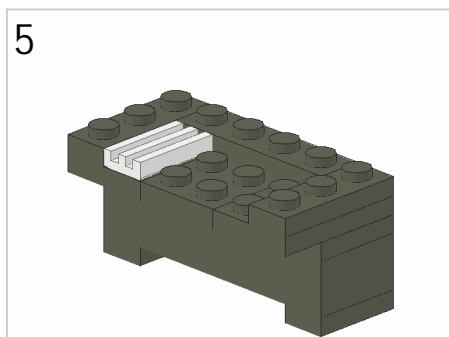
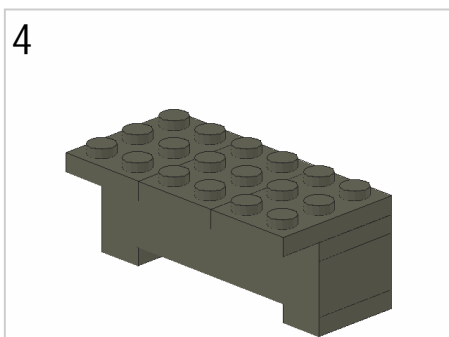
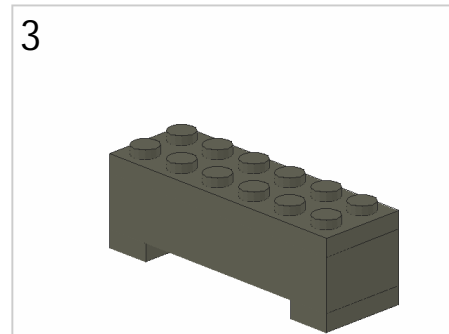
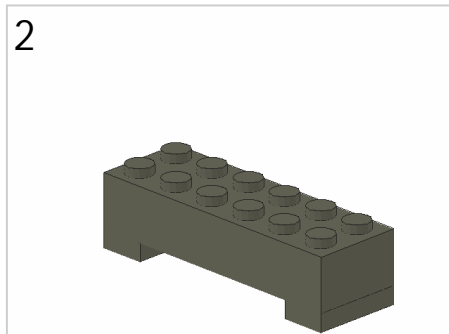
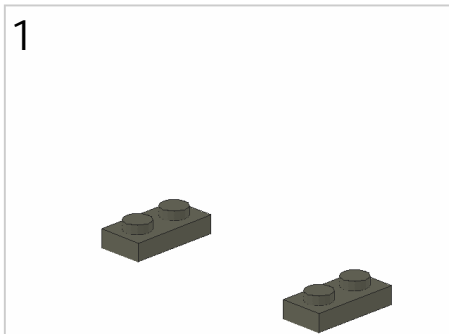
by Simon Bennett



For more information about The Brickish Association, please visit our website [www.brickish.org](http://www.brickish.org)

# piano

by Martin Long



For more information about The Brickish Association, please visit our website [www.brickish.org](http://www.brickish.org)